

Features

Switching Regulator

- 20A non isolated sixteenth brick
- 18 to 75VDC wide input range
- 3.3 to 24VDC adjustable output
- Standard sixteenth brick wide format
- High efficiency up to 98%
- Operating temperature derates to 120°C



RPMGS-20

20 Amp
16th Brick
Open Frame
Single Output



Description

The RPMGS-20 series is a non-isolated 20A DC/DC converter in a sixteenth brick package. The high efficiency and thermal design of the product means that minimal derating is required, even at high temperatures. The device is exceptionally suited for 24V, 28V, and 48V power rails as a point of load solution in a distributed power architecture. Trimmable output, remote sense, and remote control features as well as undervoltage lockout, overload, over-temperature, and short circuit protections are standard.

Selection Guide

Part Number	Input Voltage Range ⁽¹⁾ [VDC]	Output Voltage [VDC]	Vout Adjust Range [VDC]	Output Current max. [A]	Efficiency typ. [%]	Max. Capacitive Load [μ F]
RPMGS5.0-20	18-75	5	3.3 - 8	20	91 - 94	15000
RPMGS12-20	18-75	12	8 - 24	20	95 - 97	12000

Notes:

Note1: Measured Values are with $C_{IN}= 880\mu$ F + $C_{OUT}= 4000\mu$ F

Model Numbering



Specifications (measured @ Ta= 25°C, nom. Vin, full load and after warm-up unless otherwise stated)

BASIC CHARACTERISTICS					
Parameter	Condition	Min.	Typ.	Max.	
Internal Input Filter					capacitor
Input Voltage Range		18VDC		75VDC	
Absolute Maximum Input Voltage				80VDC	
Undervoltage Lockout (UVLO)	DC-DC ON DC-DC OFF		16.5VDC 14.0VDC		
Input Current	RPMGS5.0-20 RPMGS12-20		2.3A 5.2A		
Quiescent Current (no load)			30mA		
No Load Power Consumption	V _{IN} = 24VDC		720mW		
	V _{IN} = 48VDC		1440mW		
	V _{IN} = 60VDC		1800mW		
Internal Power Dissipation				10W	

continued on next page

Specifications (measured @ Ta= 25°C, nom. Vin, full load and after warm-up unless otherwise stated)

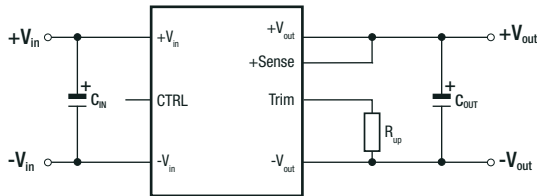
Parameter	Condition		Min.	Typ.	Max.
Output Voltage Trimming ⁽²⁾	RPMGS5.0-20		3.3VDC		8VDC
	RPMGS12-20		8VDC		24VDC
Minimum Load			0%		
Minimum Dropout Voltage	RPMGS12-20, full load, refer to "Typical Dropout Voltage"			1VDC	
Startup-time	RPMGS5.0-20			13ms	
	RPMGS12-20			20ms	
Rise-time	RPMGS5.0-20			8ms	
	RPMGS12-20			16ms	
ON/OFF CTRL	DC-DC ON		Open or $1.8V < V_{CTRL} < 5.4VDC$		
	DC-DC OFF		Short or $0V < V_{CTRL} < 0.9VDC$		
Standby Current	DC-DC OFF CTRL to GND	RPMGS5.0-20	V _{IN} = 24VDC	0.065mA	
			V _{IN} = 48VDC	0.126mA	
			V _{IN} = 60VDC	0.156mA	
		RPMGS12-20	V _{IN} = 24VDC	0.065mA	
			V _{IN} = 48VDC	0.133mA	
			V _{IN} = 60VDC	0.162mA	
Internal Operating Frequency			200kHz	210kHz	220kHz

Notes:

Note2: For more detailed information, please refer to "OUTPUT VOLTAGE TRIMMING"

Typical Application

RPMGS12-20



VOUTset	C _{IN}	R _{up}	C _{OUT}
15VDC	>200µF	10kΩ	>=1000µF ESR<30mΩ

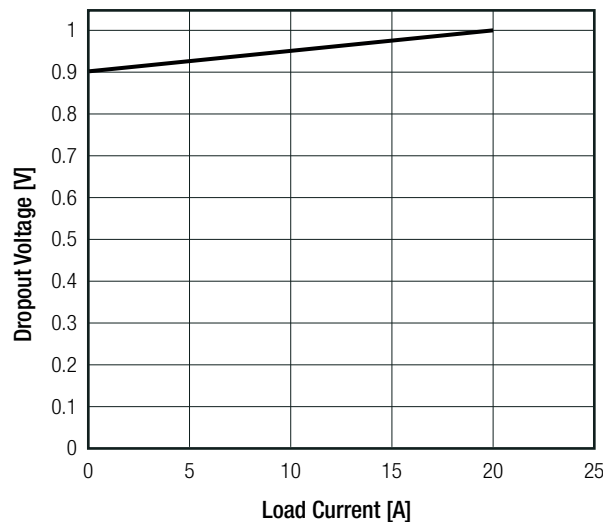
For nom. V_{OUT} leave Trim pin open

Notes:

Note3: +Sense must be connected to +V_{OUT} for proper operation, otherwise the unit could be damaged.

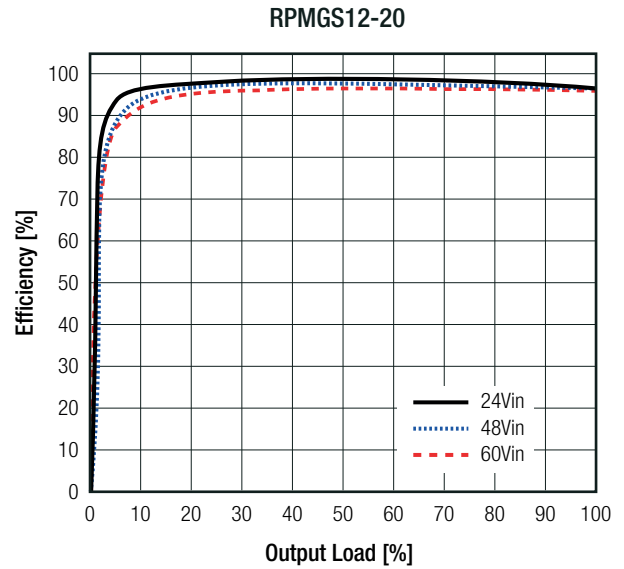
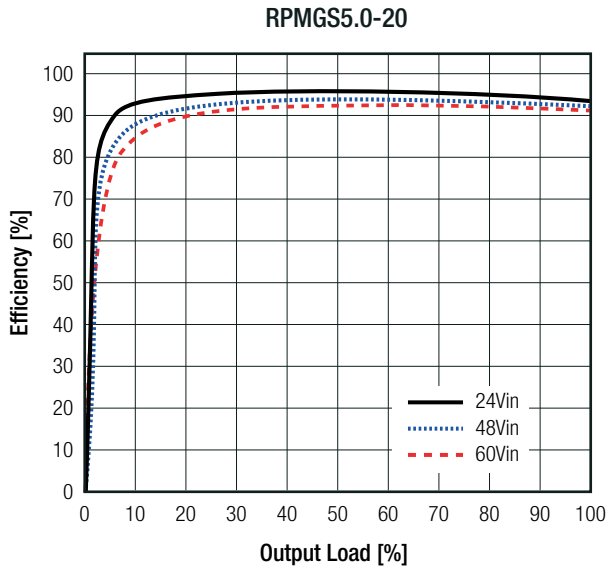
Typical Dropout Voltage

RPMGS12-20



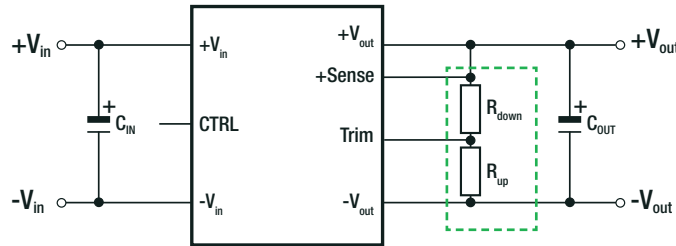
Specifications (measured @ Ta= 25°C, nom. Vin, full load and after warm-up unless otherwise stated)

Efficiency vs. Load



OUTPUT VOLTAGE TRIMMING

The RPMGS series offers the feature of trimming the output voltage over a range between 3.3V and 24V by using external trim resistors. The values for trim resistors shown in trim tables below are according to standard E96 values; therefore, the specified voltage may slightly vary.



- Vout_{nom} = nominal output voltage [VDC]
- Vout_{set} = trimmed output voltage [VDC]
- R_{up} = trim up resistor [Ω]
- R_{down} = trim down resistor [Ω]
- R₃, R₄, R₅ = internal resistors [Ω]

	R ₃ [Ω]	R ₄ [Ω]	R ₅ [Ω]	V _{REF} [VDC]
RPMGS5.0-20	18k72	3k48	3k48	0.8
RPMGS12-20	48k7	3k48	2k87	0.8

Calculation:

$$R_{UP} = \frac{V_{REF} \times R_3 \times (R_4 + R_5) - R_4 \times R_5 \times (V_{OUTset} - V_{REF})}{(V_{OUTset} - V_{REF}) \times R_4 - V_{REF} \times R_3} = \Omega$$

$$R_{DOWN} = \frac{V_{OUTset} \times (R_3 \times R_4 + R_4 \times R_5) - V_{REF} \times (R_3 \times R_4 + R_4 \times R_5 + R_3 \times R_5)}{V_{REF} \times (R_3 \times R_4) - R_4 \times V_{OUTset}} = \Omega$$

RPMGS5.0-20

Trim up

Vout _{set} =	5.5	6.0	7.0	8.0	[VDC]
R _{up} (E96) ≈	33k2	13k3	4k42	1k69	[Ω]

Trim down

Vout _{set} =	3.3	3.6	4.0	4.5	[VDC]
R _{down} (E96) ≈	22k6	31k6	51k	113k	[Ω]

RPMGS12.0-20

Trim up

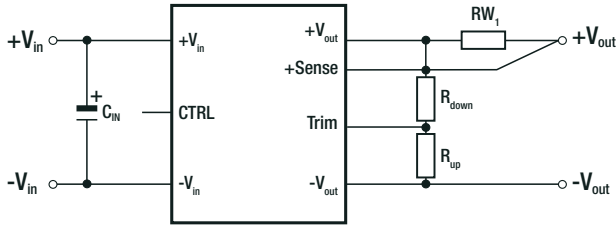
Vout _{set} =	15.0	18.0	20.0	24.0	[VDC]
R _{up} (E96) ≈	10k	3k57	2k	0k374	[Ω]

Trim down

Vout _{set} =	8.0	9.0	10.0	11.0	[VDC]
R _{down} (E96) ≈	84k5	130k	221k	499k	[Ω]

Specifications (measured @ Ta= 25°C, nom. Vin, full load and after warm-up unless otherwise stated)

REMOTE SENSE



The output voltage can be adjusted via the trim and sense functions.

The maximum output voltage from Trim and Sense function combined is 8VDC for RPMGSQ5.0-20 and 24VDC for RPMGS12-20. Derating may be required when using Trim and/or sense functions.

RW₁ ... wire losses +

R_{up} ... trim up resistor

R_{down} ... trim down resistor

REGULATIONS

Parameter	Condition		Value	
Output Accuracy			±1.0% max.	
Line Regulation	low line to high line, full load		0.5% typ. / ±1.0% max.	
Load Regulation	0% to 100% load		0.5% typ. / ±1.0% max.	
Transient Response	5% - 100%	RPMGS5.0-20	V _{IN} = 24VDC	40mV typ.
			V _{IN} = 48VDC	70mV typ.
			V _{IN} = 60VDC	90mV typ.
	5% - 100%	RPMGS12-20	V _{IN} = 24VDC	50mV typ.
			V _{IN} = 48VDC	95mV typ.
			V _{IN} = 60VDC	110mV typ.

PROTECTIONS

Parameter	Condition		Value
Short Circuit Protection (SCP)	hiccup mode, auto recovery	RPMGS5.0-20	22.1A
		RPMGS12-20	20.6A
Short Circuit Input Current	V _{IN} = 24VDC		30mA typ.
	V _{IN} = 48VDC		18mA typ.
Over Current Protection (OCP)	hiccup mode, auto recovery	RPMGS5.0-20	22.1A
		RPMGS12-20	20.6A
Over Temperature Protection (OTP)	measured on IC		160°C, auto restart after cool down

SAFETY AND CERTIFICATIONS

Certificate Type (Safety)	Report / File Number	Standard
RoHS 2+		RoHS 2011/65/EU + AM2015/863

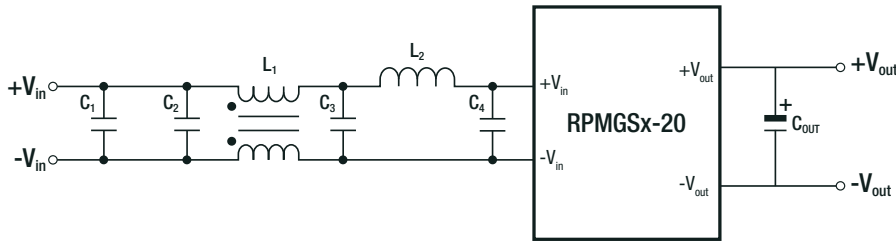
continued on next page

Specifications (measured @ Ta= 25°C, nom. Vin, full load and after warm-up unless otherwise stated)

SAFETY AND CERTIFICATIONS

EMC Compliance	Condition	Standard / Criterion
Electromagnetic compatibility of multimedia equipment - emission requirements	with external components (see filter suggestions below)	EN55032, Class A and B

EMC filtering suggestion according to EN55032



Component List Class A

C1	C2	C3	C4	L1	L2	COUT
2x 330µF	3x 22µF	10µF	1000µF	56µH	10µH	>=1000µF

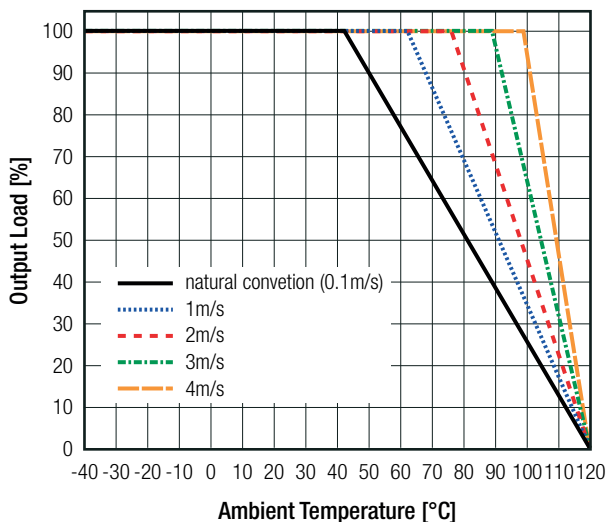
ENVIRONMENTAL

Parameter	Condition	Value	
Operating Temperature Range	with forced airflow	-40°C to +120°C	
Operating Humidity	non-condensing	5% - 95% RH max.	
Operating Altitude		5000m	
Vibration		MIL-STD-833G, method 2026 test condition II, letter "B"	
MTBF	according to MIL-HDBK-217F, G.B.	RPMGS5.0-20	1195 x 10 ³ hours
		RPMGS12-20	1095 x 10 ³ hours

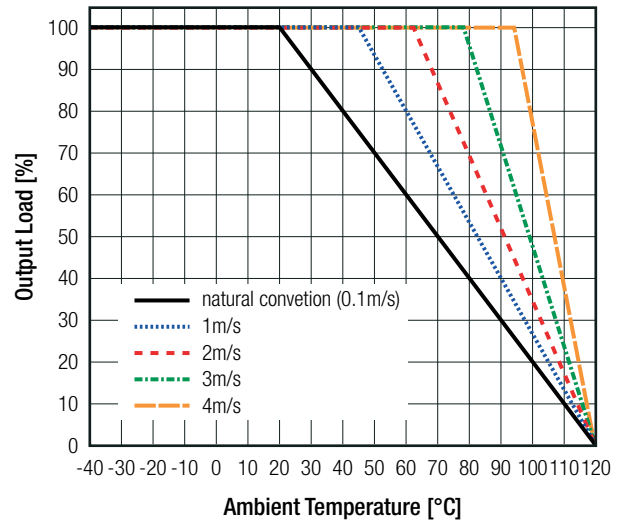
Derating Graph

24Vin

RPMGS5.0-20

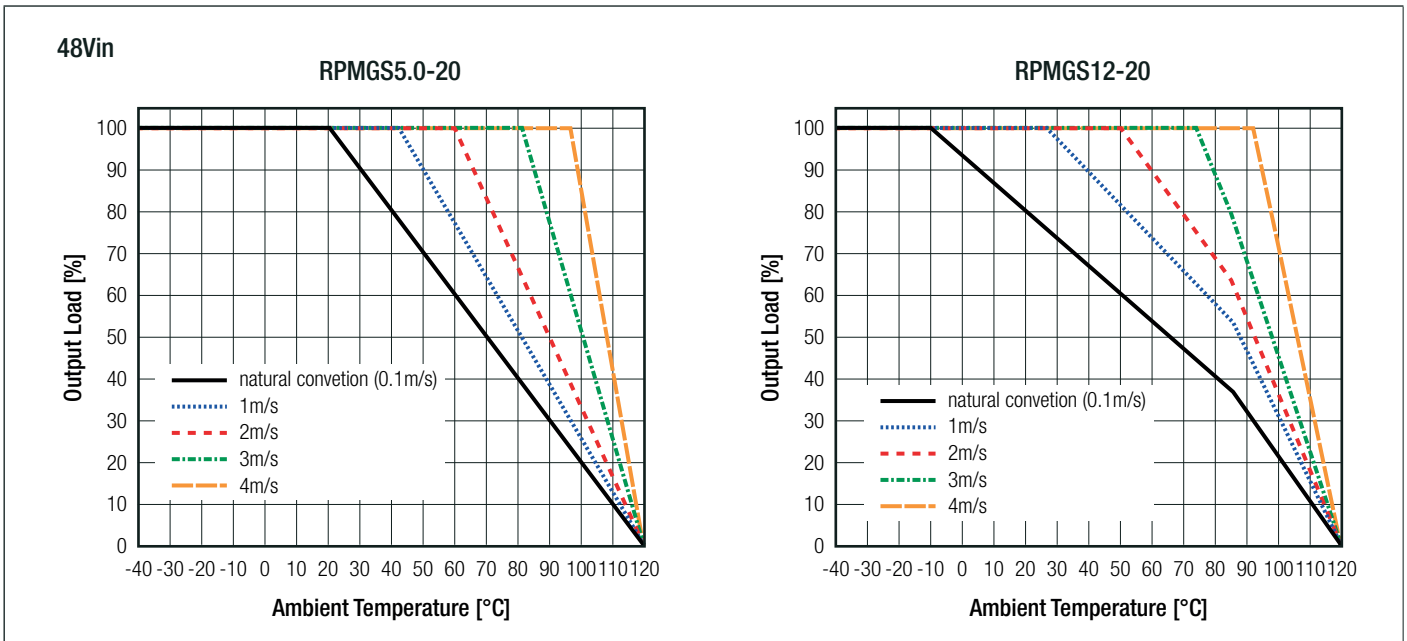


RPMGS12-20



continued on next page

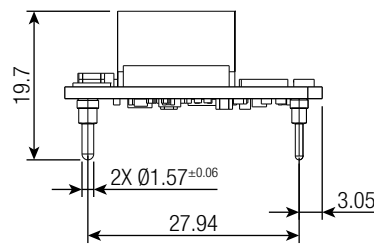
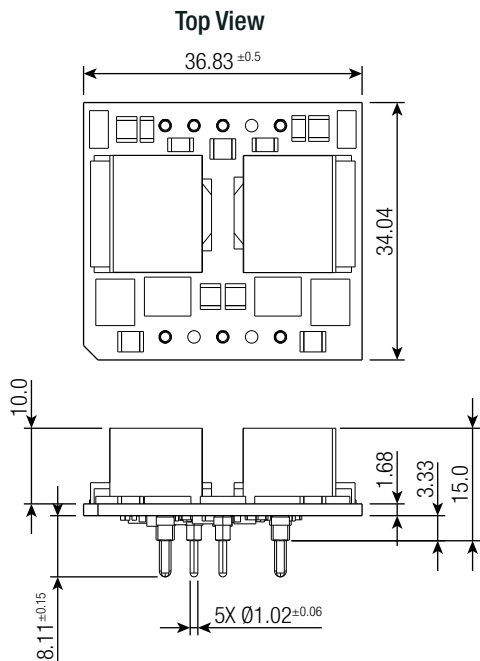
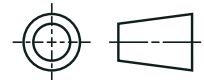
Specifications (measured @ Ta= 25°C, nom. Vin, full load and after warm-up unless otherwise stated)



DIMENSION AND PHYSICAL CHARACTERISTICS

Parameter	Type	Value
Material	PCB	FR4, (UL94 V-0)
Dimension (LxWxH)		36.83 x 34.04 x 15.0mm
Weight		29g typ.

Dimension Drawing (mm)



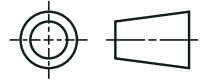
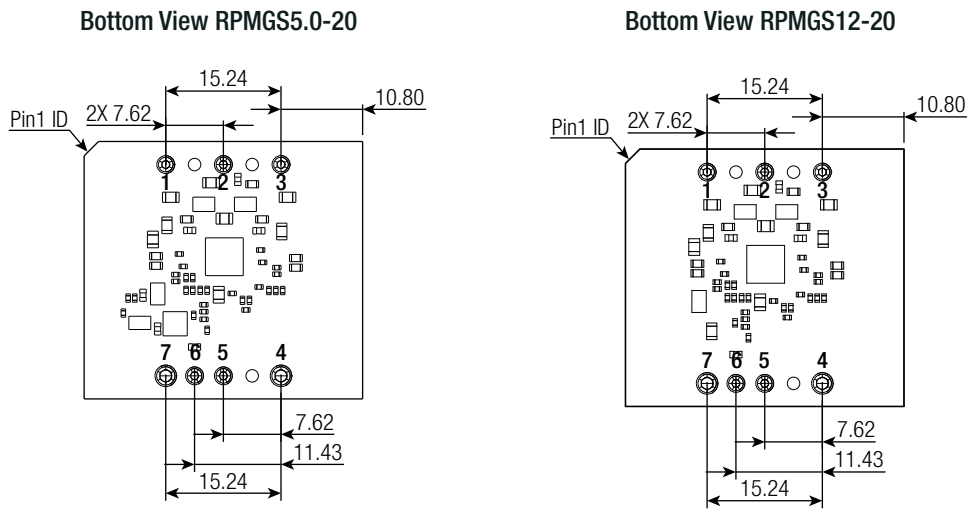
Pinning Information

Pin #	Single	Pin Ø
1	+Vin	1.02
2	CTRL/UVLO	1.02
3	-Vin	1.02
4	-Vout	1.57
5	TRIM	1.02
6	+SENSE	1.02
7	+Vout	1.57

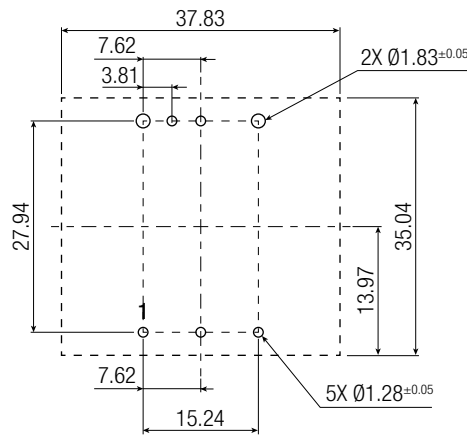
continued on next page

Specifications (measured @ Ta= 25°C, nom. Vin, full load and after warm-up unless otherwise stated)

Dimension Drawing (mm)



Recommended Footprint Details



Tolerance:
xx.x= ±0.5mm
xx.xx= ±0.25mm

PACKAGING INFORMATION

Parameter	Type	Value
Packaging Dimension (LxWxH)	tray	305.0 x 165.0 x 45.0mm
Packaging Quantity		15pcs
Storage Temperature Range		-55°C to +125°C
Storage Humidity	non-condensing	95% RH max.

The product information and specifications may be subject to changes even without prior written notice. The product has been designed for various applications; its suitability lies in the responsibility of each customer. The product is not authorized for use in safety-critical applications without RECOM's explicit written consent. A safety-critical application is an application where a failure may reasonably be expected to endanger or cause loss of life, inflict bodily harm or damage property. The applicant shall indemnify and hold harmless RECOM, its affiliated companies and its representatives against any damage claims in connection with the unauthorized use of RECOM products in such safety-critical applications.